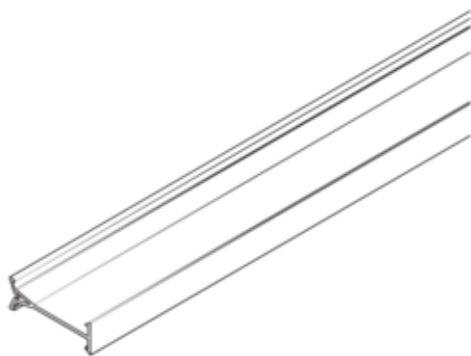




partition LF H60

M2026



Architecture

Fixing mode	Clipped
-------------	---------

Configuration

Module	1 Gang
--------	--------

Compatibility

Product compatibility	LF (150, 190, 230)
-----------------------	--------------------

Materials

Colour	colourless
--------	------------

Material	PVC
----------	-----

Material group	plastic
----------------	---------

Type of surface treatment	untreated
---------------------------	-----------

Dimensions

Length	2000 mm
--------	---------

Trunking height	60 mm
-----------------	-------

Use

Product type as headline for catalogue	Divider
--	---------

Standards

European directive RoHs	voluntary compliance
-------------------------	----------------------

Safety

halogen free	no
--------------	----